



S.P.A.R.K.

June 2026

Sedalia Pettis Amateur Radio Klub

Issue No. 53



NEWSLETTER

The latest news, views, and announcements in Sedalia's HAM Radio Community

Co-Editors

Connie Koch

(WAØQCJ)

Brooks Baker

(KAØJWA)

INSIDE

Editor's Moment

Connie (WAØQCJ)

Word From Our President

Bret (WØVK)

Nets / Frequencies

Monthly Birthdays

Calendar 2026

Who-Zit ?



EDITOR'S MOMENT

JUNE 25 - 26

SAVE THE

DATE!!!



PRESIDENT'S MESSAGE



What a great month May has been for the Sedalia Pettis Amateur Radio Club!

We kicked off our first special event station of the year during the International Scott Joplin Ragtime Festival right here in Sedalia. Several club members came out to participate, and I am pleased to report that we made **MORE** contacts at this event than ever before in spite of intermittent WX! Most importantly, everyone had a fantastic time representing our club and sharing the

amateur radio hobby with others.

On a personal note, your president had the opportunity to attend the Dayton Hamvention in Xenia, Ohio. What an incredible experience! From the exhibits and flea market to the opportunity to meet fellow hams from around the world, it was truly a memorable event. I'll be sharing more details and highlights from the trip in a separate article elsewhere in this newsletter.

Looking ahead, it's time to set our sights on Field Day coming up this month in June. As always, we are looking for strong participation from our membership to make this another successful event. There are many ways for YOU to contribute, whether it's helping with setup, operating, logging, or teardown. However, the most valuable contribution you can make is simply being there and participating. Field Day is one of the best opportunities we have each year to showcase amateur radio, sharpen our skills, and enjoy fellowship with fellow club members.

Finally, if you get a chance, hop on the repeater and say hello to your fellow hams. Activity has been a little quiet lately, and a simple conversation can go a long way toward keeping our local amateur radio community connected and active.

I look forward to talking with all of you very soon.

See you down the coax!

73,

Bret Kuhns W0VK

NEXT MEETING – June 6th - 8:30

Pettis County EOC --- 1511 N. Ohio

NETS AND FREQUENCIES

2 Meter Net – Sunday at 7:30 PM – 147.03 repeater – offset 179.9pl

75 Meter Round Table – Sunday at 9:30 AM – 3950 (3813 other times) operator Paul (KØETL)

Simplex Net – Wednesday at 8 PM – 147.575 operator Paul (KØETL)

220 Sedalia Rag Chew Net – Wednesday at 8:30 – 224.440 – 107.3pl

Live Streams 147.03 and 224.44 repeaters on broadcastify.com

HAMFEST CALENDAR 2026

de – Brooks (KAØJWA)

06/14/2026 – Egyptian Fest 2026 - St. Louis, MO

07/18/2026 – Warrensburg Hamfest – Warrensburg, Mo.

07/19/2026 – Washington Hamfest – Washington, Mo.

08/09/2026 - "Never Enough Radios" - O' Fallon, Mo.

08/ 22 & 23/2026 – Joplin Hamfest – Joplin, Mo.

10/ 09 & 10 – SPARK-CON – Sedalia, Mo.

10/31/2026 - 33rd Halloween Hamfest - Kirkwood, Mo.

11/14/2026 - Nixa ARC Hamfest - Nixa, Mo.



June Birthdays!

Brian May - 15th (WE3MAY)

Larry Gordon – 16th (KJ6MDF)

Lucas Robinson – 30th (KDØFMG)



NEIGHBORHOOD CLUBS NEWS UPDATE

de – Ryan Anderson (KFØHYP)

Marshall – Saline County ARES Club Events:

Every Monday @ 7:30 PM – 2-Meter Repeater Net – 146.685 - Negative offset- Input and Output tone of 127.3

2nd Tuesday @ 6:00 PM – Club Meeting

WHEN SENDING E-MAIL MESSAGES, ARTICLES, OR OTHER CORRESPONDENCE, USE THE FOLLOWING E-ADDRESS FOR CONNIE (WAØQCJ). TEXTING IS STILL AN OPEN OPTION.

connies1.newsletters@gmail.com

WHO-ZIT?



I've slept under the stars in the heart of Africa, surrounded by the sounds of the wild. During a safari through Kenya, I spent nights in a tented camp on the Masai Mara with only generator-powered electricity. Each evening, after the lights went out and the generator powered down, the sounds of the wilderness took over. A Masai warrior stood guard outside my tent all night while the Great Migration passed through the area nearby. By morning, I was tracking hyena footprints just steps from my campsite. Thankfully, I survived to tell the tale!

When I'm not seeking adventure, I enjoy working with my hands. I've taken pottery classes and learned to throw clay on a potter's wheel. One of my proudest creations is a set of six handmade coffee mugs that are remarkably similar—a challenge any potter can appreciate.

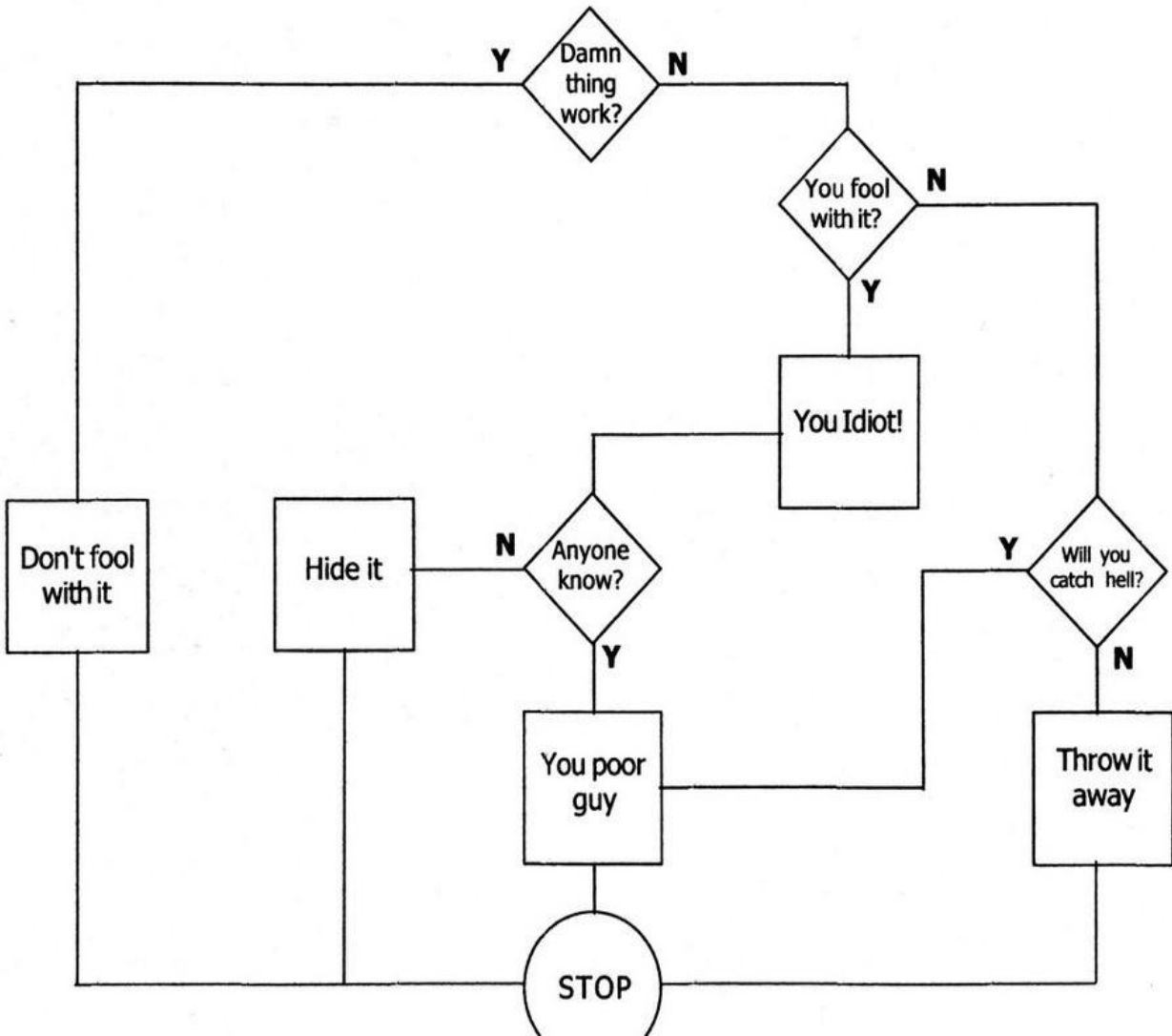
I also have a competitive side. For many years, I've been a member of the United States Practical Shooting Association and have traveled throughout the Midwest competing in matches. Along the way, I've earned multiple class victories and enjoyed meeting fellow competitors from across the region.

So, who am I?

**WHO AM I? Contact: (WAØQCJ) with your guess!
Connies1.newsletters@gmail.com**

HARRY'S DECISION MAKING STRATEGY

HARRY (KØTV)



(editor's note...I see about a full membership of SPARK Hams who can relate to Harry's strategic method of 'fixin' and tinkerin'! Hi Hi)



TOP FIRST RESPONDERS

RECOGNIZED BY SEDALIA OPTIMISTS!

The Sedalia Noonday Optimist “Respect For Law” banquet was held recently at the Sedalia Country Club. One of our own, Amber Nerad, (KEØQYL) was honored as the EMA Volunteer of the year! Trisha Rooda, Pettis County Director of EMA, shared these allocades at her ceremony.

“Good evening, everyone, and thank you to the Optimist Club for hosting tonight’s Respect for Law Banquet. It is a privilege to be here and to recognize someone who truly embodies service to others.

Tonight, I am honored to present this award to Amber Nerad, one of our dedicated volunteers with Pettis County Emergency Management Agency.

Amber has called Sedalia home her entire life, and her pride in this community shows in everything she does. She cares deeply about Sedalia and Pettis County, and she is always looking for ways to help make it better. For the past eight years, Amber has faithfully served as an EMA volunteer. She is dependable, hardworking, and always willing to step in wherever she is needed. She approaches every task with a positive attitude and a desire to learn more.

Amber is also a member of our SPARKS amateur radio group, helping support emergency communications when they are needed most. This year, she committed herself to an intensive 11-week Morse code training course, once again proving her dedication to learning new skills and serving others.

Her service does not stop there. Amber has also given her time to Special Olympics basketball and to helping through her church. She is someone who gives back quietly, consistently, and without asking for recognition.

Amber represents the spirit of volunteerism and the strength of community service. We are grateful for all she has done and continues to do.

Please join me in congratulating Amber as our Volunteer of the Year.”



GUEST EDITORIAL – PHILLIP MARKMANN (KJ5ZW)

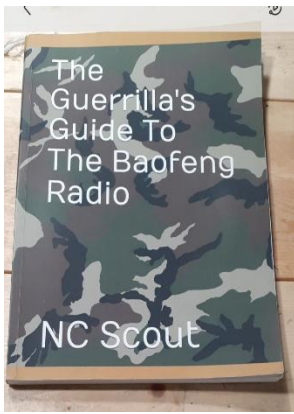
Phillip is a former member of our founding club CMARC, and we welcome his editorial from present QTH – Hawkins, Texas

CROSS-BAND REPEATER WHAT IS THE OFFSET?

Hamsters are folks that can take something that is no longer useful and turn that object into something with a purpose! Yup! That is what Amateur Radio Operators are noted for. So ..., a couple of months ago Connie challenged me with her “3 or 4 Baofeng glued together” and maybe, just maybe, she would have a functioning door stop. <VBG> This child accepts Connie’s challenge with a 12.6-pound brick of lead (pictured with this article). Not only does that work better as a door stop, but I also have an idea about building a repeater with 2 Baofengs. Right upfront I’m saying that I believe my lead brick will function better as a doorstop than Connie’s Baofeng. However, a Cross-band Baofeng repeater might be just a waste of time and money so, ... Kudos go to Connie!



I’m going to talk about a repeater that we can build for less than \$100 with an offset of 301 MHz “if” we use 146 MHz and 447 MHz as the Transmit (TX) and Receive (RX) frequencies for our Baofeng repeater. You can choose your frequencies as well as the Continuous Tone-Coded Squelch (CTCSS). For example, you might use 67 Hz for the CTCSS tone and you could program the tone on both the TX and RX sides of this low wattage repeater. The two Baofengs would be hooked together with a RC-108 repeater box YiNi Tone, also pictured with this article.



As an example in his book, The Guerrilla's Guide to The Baofeng Radio, NC SCOUT uses 146 MHz for the repeater TX and 447 MHz for the repeater RX. We would choose different frequencies for the TX, RX, and CTCSS, plus we would also perform a search to choose all three of our frequencies that are unused in our geographical areas.

This would be a Cross-Band repeater. I've been considering this for some time, (will over a year and a half). Wanted to verify the legality of a Cross-Band repeater. That being said, I did purchase the repeater box known as RC-108 YiNi Tone. The nice thing about this repeater is its portability. Both of the Baofengs would fit in a .30 caliber ammo box

and Baofeng corporation now produces an 8-watt Baofeng. The 8-watt Baofeng would be used on the TX side of our repeater.

I could use the 3rd battery mentioned in the April article that I wrote, "Power Supplies and Batteries". I would build a voltage matching circuit system, (resisters and a "Y" connection, 7.5 vdc) that would provide the needed voltages for both the Baofengs in this Cross-Band repeater. For extended operation, the car battery would provide sufficient voltages for several months to the Baofeng radios.

In his book, NC SCOUT used a solar panel for his Cross-Band repeater. I would not need a solar panel with the heavy 12 VDC car battery. I believe a voltage matching circuit, yet to be designed and built, would service my needs quite well. That being said, each Baofeng has a battery, and I have several spare batteries. Therefore, I would not need the heavy weight of the 12 VDC car battery. Hi Hi just me "overthinking the project." GRIN

According to my 2018 edition of the ARRL repeater directory the band plans for VHF and UHF are as follows:

VHF 145.50 MHz – 145.80 MHz "Miscellaneous and experimental modes."

UHF 432.40 MHz – 433.00 MHz "Mixed-mode and weak signal work."

My Baofeng Cross-Band repeater project has been put on a "back burner" due to a project with higher priority. Which is, I will need to build a receive omnidirectional UHF antenna. A rhombic antenna described in the May article, (last month), would work great in this repeater project as a receive antenna. The transmit antenna on top of my tower would do a fantastic job here at my QTH.



Side note, NC SCOUT gives the easiest and simplest instructions to manually program the Baofeng I have seen!

FCC RULES APPLY

FCC does not require automatic ID for Cross-Band Repeaters, BUT operators must still comply with ID RULES, operators should ensure they follow legal guidelines and avoid interference with other stations.

Until next time,
Stay on the green side of grass
(KJ5ZW) Phillip Markmann



DAYTON HAMVENTION REPORT

BRET (WØVK)

My First Dayton Hamvention Experience Bret (WØVK)

On May 14–16, 2026, I attended the Dayton Hamvention in Xenia, Ohio, and what an experience it was! After this trip, I can honestly say I've been missing out on one of the greatest events in amateur radio!

I arrived Thursday evening before the event began and took the opportunity to drive around the fairgrounds to get a feel for the layout. Since vehicles are not allowed inside during the event, this turned out to be a great way to familiarize myself with the grounds before the crowds arrived.

Friday morning, bright and early, I headed to the fairgrounds with a plan. Rain was forecast for Saturday, so I decided to spend Friday exploring all the outdoor exhibits and flea market areas. That strategy worked out perfectly. As I entered the grounds, I spent some time looking at the outdoor displays featuring mobile stations, portable operating setups, and creative ways hams take their stations on the road. From there, I entered the first phase of the flea market area, where I met up with my friends from Iowa, Rod Blacksome and Barry Burlow. Both are Hamvention veterans and gave me some excellent advice on navigating the massive event. Barry also introduced me to a fellow amateur radio operator who happened to have exactly what I was looking for—a Collins hand microphone! It was a total score and one of the highlights of the trip. From there, I made my way to Phase 2, located in the infield of the racetrack. The infield alone featured at least 500 flea market tables, and it literally took the entire day to see it all. Along the way, I ran into many familiar faces, including several people who have attended SparkCon and were excited about returning for our event this October. By the end of the day, my feet were definitely feeling the effects. I had been on the move from 9:00 a.m. until about 5:30 p.m. without sitting down once. Thankfully, I kept my energy up with a Texas pork chop sandwich that was at least an inch thick and still attached to the bone. It was absolutely delicious!

Saturday brought a completely different experience. Rain moved in early, so I shifted my focus to the indoor exhibits and commercial vendors. The timing couldn't have been better because it allowed me to spend the

day exploring the latest equipment and technology being showcased by manufacturers and dealers.

The major manufacturers, including Icom, Yaesu, and Kenwood, had impressive displays featuring their newest products and developments. Large amateur radio retailers such as Gigaparts, DX Engineering, and Ham Radio Outlet (HRO) also had a significant presence. One of the largest displays belonged to the ARRL, which featured numerous booths highlighting their programs, initiatives, and outreach efforts. I even had the opportunity to spend time with both the current and past ARRL presidents. During our conversations, they expressed interest in attending our Midwest Division Convention later this year, which was another exciting highlight of the weekend.

While the rain poured outside for most of Saturday, I was able to thoroughly enjoy everything happening indoors. Another memorable part of the event was meeting representatives from the amateur radio organizations of Japan and the United Kingdom. Their organizations serve roles similar to the ARRL here in the United States, and it was fascinating to learn more about amateur radio from an international perspective. I shared SparkCon flyers with them and invited them to attend our October event. I hope you enjoy the accompanying photos showing our exchange of flyers and ideas. I also learned about a major ham radio festival held in Tokyo each August. That would certainly be an incredible event to attend someday.

Overall, Dayton Hamvention 2026 was an amazing experience from start to finish. I met great people, found some fantastic equipment, made valuable connections, and gained a much greater appreciation for the scale and impact of the amateur radio community.

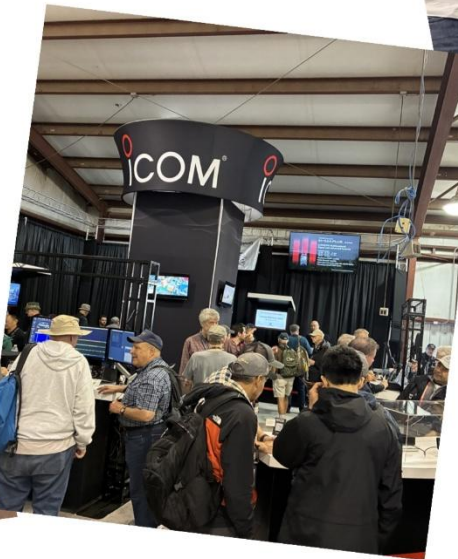
Now that I've experienced Dayton Hamvention firsthand, I know exactly what I've been missing!

I look forward to attending many more Hamventions in the years ahead.

I hope you enjoy some of the photos from my trip.

73,
Bret





**We have promise of a complete slide show with all 70 photos!
CAN'T WAIT!**

SCOTT JOPLIN FESTIVAL - May 30th, 2026



In spite of 'iffy' WX, we made a record number of contacts!



I don't plan to draw any attention to the upside name badge, but it might be (KØTV) de

SIGNING OFF WITH BROOKS - (KAØJWA)

Since the first ARRL Field Day in 1933, radio amateurs throughout North America have practiced the rapid deployment of radio communications equipment in environments ranging from operations under tents in remote areas to operations inside Emergency Operations Centers (EOCs). Operations using emergency and alternative power sources are highly encouraged, since electricity and other public infrastructures are often among the first to fail during a natural disaster or severe weather. It is typically the largest single emergency preparedness exercise in the country, with over 30,000 operators participating each year. Field Day is always the fourth full weekend of June, beginning at 1800 UTC Saturday and running through 2059 UTC Sunday.



QRT FOR NOW de KAØJWA es WAØQCJ

